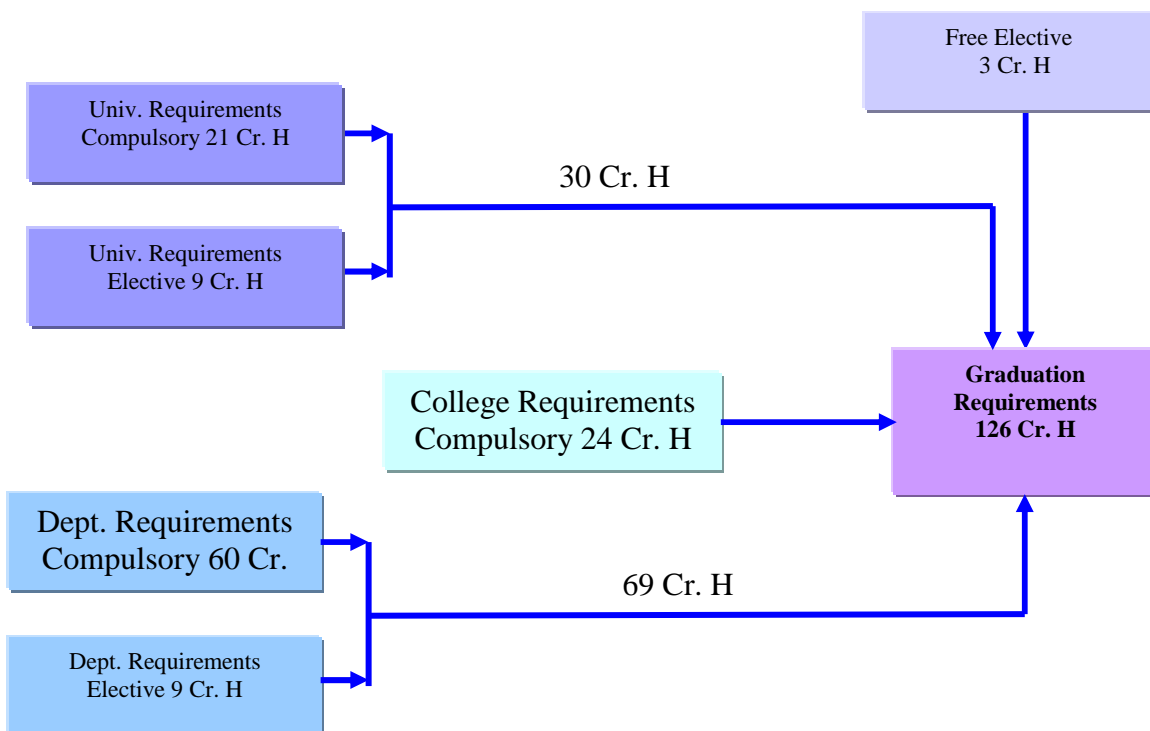


B. Ed in English Language Teaching Program Structure

1. Graduation (Credit Hours) Requirements for the Department:

| Requirements | Compulsory Cr.H | Elective Cr.H | Free Elective Cr.H | Total Cr.H |
|--------------------|-----------------|---------------|--------------------|------------|
| University (UR) | 21 | 9 | | 30 |
| College (CR) | 24 | | | 24 |
| Department (DR) | 60 | 9 | | 69 |
| Free Elective (FE) | | | 3 | 3 |
| Total | 105 | 21 | | 126 |

Program Structure:



2. University Requirements are 30 credit hours divided into:

a) Compulsory University Requirements: (21) Credit Hours

| Course Number | Course Title | Credit Hours | Prerequisite(s) |
|---------------|---------------------------------|--------------|-----------------|
| 000001 | IU Orientation | - | - |
| 101101 | Computing Fundamentals | 3 | - |
| 104100 | General Mathematics | 3 | - |
| 304100 | Introduction to Natural Science | 3 | - |
| 401100 | English Language I | 3 | - |
| 401101 | English Language II | 3 | 401100 |
| 402100 | Arabic Language I | 3 | - |
| 403100 | Islamic Culture | 3 | - |

N.B.: Exemption from any of the above courses shall be decided by the University Council.

b) Elective University Requirements: (9) Credit Hours

| Course Number | Course Title | Credit Hours | Prerequisite(s) |
|---------------|-----------------------------------|--------------|-----------------|
| 202120 | Introduction to Management | 3 | |
| 202220 | Principles of Economics | 3 | |
| 203230 | Principles of Accounting | 3 | |
| 302221 | Arabic Grammar and Morphology (1) | 3 | |
| 303210 | The Prophet's Biography | 3 | |
| 401103 | Technical Report Writing | 3 | 401101 |
| 402101 | Arabic Language II | 3 | 402100 |
| 403101 | Islamic civilization | 3 | |
| 404100 | UAE Society | 3 | |
| 404101 | Introduction to Sociology | 3 | |
| 404102 | Library and Information Sources | 3 | |
| 404110 | Media & Multimedia | 3 | |

N.B. : If any of the Elective University Requirement courses is at the same time given as a Compulsory Requirement, it will not be considered as a University Elective.

3. College Requirements (24 Cr. H)

| Course Number | Course Title | Credit Hours | Prerequisite(s) |
|---------------|---|--------------|-----------------|
| 301101 | Research Methodology | 3 | - |
| 301112 | Foundations of Education | 3 | - |
| 301121 | Curricula Planning and Development | 3 | 301112 |
| 301231 | Educational Psychology | 3 | 301112 |
| 301232 | Educational Evaluation | 3 | 301121 |
| 301233 | Educational Management and Administration | 3 | 301112 |
| 301322 | Educational Technology | 3 | 301121 |
| 405100 | Introduction to Psychology | 3 | - |

4. Department Requirements (69 Cr. H):

a) Compulsory Department Requirements - (60) Credit Hours:

| Course Number | Course Title | Credit Hours | Prerequisite(s) |
|---------------|-----------------------------------|--------------|-----------------|
| 301342 | Methods of Teaching English (1) | 3 | 301121 |
| 301443 | Methods of Teaching English (2) | 3 | 301342 |
| 301491 | Teaching Practice (English) (1) | 3 | 301342 |
| 301492 | Teaching Practice (English) (2) | 6 | 301491 |
| 401210 | Introduction to Literature | 3 | 401101 |
| 401221 | Introduction to Linguistics | 3 | 401101 |
| 401222 | Fundamentals of Grammar | 3 | 401101 |
| 401223 | Phonetics and Phonology | 3 | 401101 |
| 401224 | Syntax | 3 | 401222 |
| 401230 | Children's Literature | 3 | 401210 |
| 401242 | Oral Skills | 3 | 401100 |
| 401245 | Reading Skills | 3 | 401100 |
| 401246 | Writing Skills | 3 | 401100 |
| 401310 | Novel | 3 | 401210 |
| 401311 | Poetry | 3 | 401210 |
| 401321 | Semantics & Lexicology | 3 | 401221 |
| 401326 | Sociolinguistics | 3 | 401221 |
| 401412 | Drama | 3 | 401210 |
| 401426 | Applied Linguistics | 3 | 401221 |

b) Elective Department Requirements - (9) Credit Hours:

| Course Number | Course Title | Credit Hours | Prerequisite(s) |
|---------------|---|--------------|-----------------|
| 301211 | Education in the UAE | 3 | - |
| 301445 | Teaching English for Specific Purposes | 3 | 401101 |
| 301446 | Computer- Assisted Language Learning (CALL) | 3 | 101101 |
| 401312 | Essay Writing | 3 | 401246 |
| 401314 | Survey of English Literature | 3 | 401210 |
| 401322 | Discourse & Text Analysis | 3 | 401221 |
| 401323 | Contrastive Linguistics | 3 | 401221 |
| 401324 | Psycholinguistics | 3 | 401221 |
| 401325 | Error Analysis | 3 | 401221 |
| 401327 | Short Story | 3 | 401210 |
| 401330 | Principles of Translation | 3 | 401101 |
| 401425 | Lexical Studies | 3 | 401221 |
| 402220 | Arabic for Translators | 3 | 402100 |

5. Free Elective Requirements (3 Credit Hours).

(3) Credit hours selected from this program or any other program in the University.