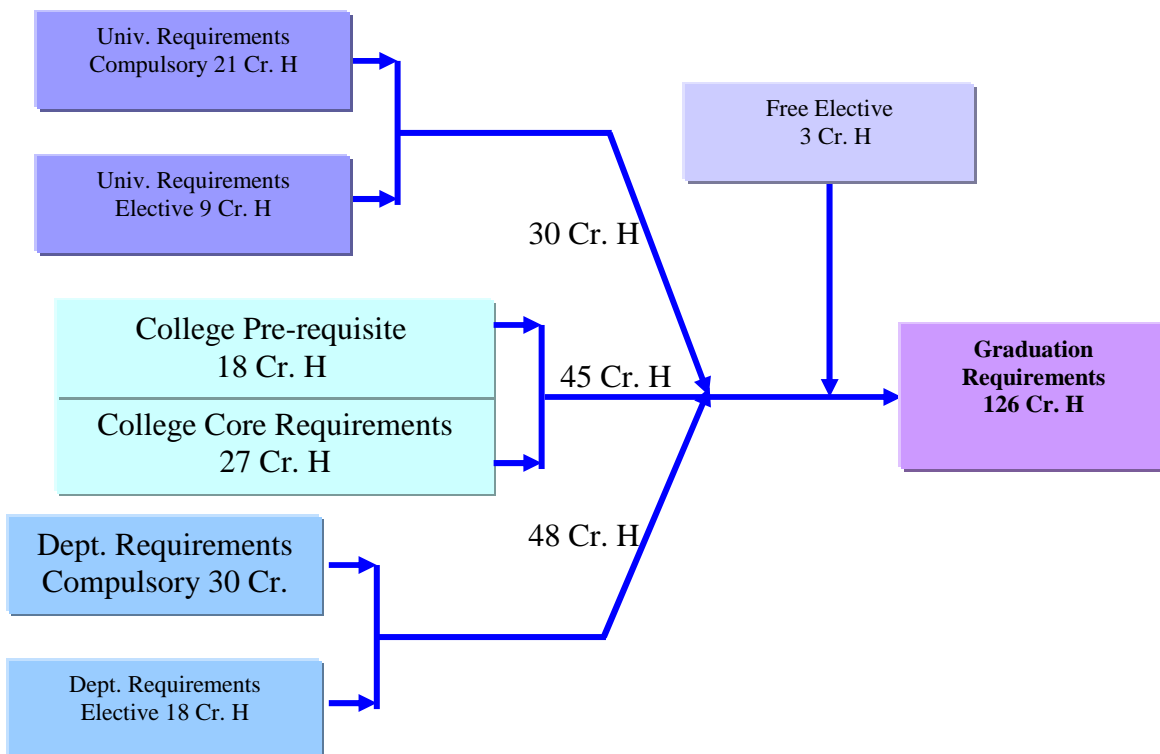


B. Sc. Business Information Systems Program Structure

1. Graduation (Credit Hours) Requirements for the Department:

Requirements	Compulsory Cr.H	Elective Cr.H	Free Elective Cr.H	Total Cr.H
University (UR)	21	9		30
College Pre-requisite (CPR)	18			18
College Core Requirements (CCR)	27			27
Department (DR)	30	18		48
Free Elective (FE)			3	3
Total	96		30	126

Program Structure:



2. University Requirements are 30 credit hours divided into:

a) Compulsory University Requirements: (21) Credit Hours

Course Number	Course Title	Theory Hours	Lab Hours	Credit Hours	Prerequisite(s)
000001	IU Orientation	0	-	-	-
101101	Computing Fundamentals	2	2	3	-
104100	General Mathematics	3	-	3	-
401100	English Language I	3	-	3	-
401101	English Language II	3	-	3	401100
402100	Arabic Language I	3	-	3	-
403100	Islamic Culture	3	-	3	-
304100	Introduction to Natural Sciences	3	-	3	-
Total				21	

N.B.: Exemption from any one of the above courses shall be decided by the university council.

b) Elective University Requirements: (9) Credit Hours

Course Number	Course Title	Theory Hours	Lab Hours	Credit Hours	Prerequisite(s)
301101	Research Methodology	3	-	3	-
301112	Foundations of Education	3	-	3	-
401103	Technical Report Writing	3	-	3	401101
401242	Oral Skills	3	-	3	401100
401245	Reading Skills	3	-	3	401100
401246	Writing Skills	3	-	3	401100
402101	Arabic Language II	3	-	3	402100
403101	Islamic Civilization	3	-	3	-
404101	Introduction to Sociology	3	-	3	-
404102	Library and Information Sources	3	-	3	-
404110	Media & Multimedia	3	-	3	-
405100	Introduction to Psychology	3	-	3	-
404100	UAE Society	3	-	3	-
303210	The Prophet's Biography	3	-	3	-
303221	Arabic Grammar & Morphology I	3	-	3	-

N.B.: If any of the Elective University Requirement courses is at the same time given as a Compulsory Requirement, it will not be considered as a University Elective.

(*) CMIS students are required register:

1. Either Introduction to Psychology (405100) or Introduction to Sociology (404101).
2. A course in humanities or arts from the rest of the above-listed elective course.

3. College Requirements (45 Cr. H):

A. College Pre-requisite (18 Cr. H)					
Course Number	Course Title	Theory Hours	Lab Hours	Credit Hours	Prerequisite(s)
104103	Mathematics for Business	3	-	3	104100
203230	Principles of Financial Accounting	3	-	3	-
203233	Fundamentals of Cost & Managerial Accounting	3	-	3	203230
202200	Principles of Microeconomics	3	-	3	
202201	Principles of Macroeconomics	3	-	3	202200
201100	Business Statistics	3	-	3	104100
Total				18	-
B. College Core Requirements (27 Cr. H)					
Course Number	Course Title	Theory Hours	Lab Hours	Credit Hours	Prerequisite(s)
201210	Information Systems & Technology	3	-	3	101101 Corequisite
202120	Introduction to Management	3	-	3	-
202231	Business Communication	3	-	3	401101 & 202120
202230	Marketing	3	-	3	202120
204230	Business Finance	3	-	3	203230
202331	Human Resource Management	3	-	3	202120
202431	Legal Business Environment	3	-	3	202120
201410	Operational Research	3	-	3	104103 + 201100
202332	Production & Operations Management	3	-	3	202120, 104103, 201100
Total				27	-

4. Department Requirements (48 Cr. H):

A. Compulsory Department Requirements (30 Cr. H)					
Course Number	Course Title	Theory Hours	Lab Hours	Credit Hours	Prerequisite(s)
101110	Programming I	2	2	3	101101Corequisite
101211	Programming II	2	2	3	101110
101324	Database Management System	2	2	3	101211
101351	Data Communications & Networking	2	2	3	101110
101382	Web Technology	2	2	3	101110
201416	Electronic – Commerce	2	2	3	101211
201211	BIS Analysis & Design	3	-	3	201210 +101110
201316	BIS Development	2	2	3	201211
201490	Training	-	-	3	Earned 81 Cr. H
201491	BIS Implementation (Graduation Project)	-	-	3	Last Semester of study
Total				30	
B. Elective Department Requirements (18 Cr. H) (at least two courses from each group)					
Course Number	Course Title	Theory Hours	Lab Hours	Credit Hours	Prerequisite(s)
101230	Data Structure & Algorithms	3	-	3	101211
101490	Computer Software Lab.	-	6	3	Earned 70 Cr. H
201312	Accounting Information Systems	2	2	3	203230 +201210
201315	IT Management for Service Operations	3	-	3	201210
201413	Independent Study	-	-	3	Dept. Approval
201415	Selected Topics in Advanced IS	X	Y	3	201211
202221	Organizational Behavior	3	-	3	201210
202232	Purchasing and Supply Management	3	-	3	201210
202322	Project Management	3	-	3	Earned 70 Cr. H
202330	Sales Management	3	-	3	201210, 202230 /Co.
202333	International Business Management	3	-	3	201210 + 202201
202420	Strategic Management	3	-	3	Earned 81 Cr.H
202421	Quality Management	3	-	3	Earned 70 Cr. H
203336	Cost & Managerial Accounting	3	-	3	203233
204330	Portfolio Management	3	-	3	204230

5. Free Elective Requirements (3 Credit Hours).

(3) Credit hours selected by the student from his specialization or any department in the university.