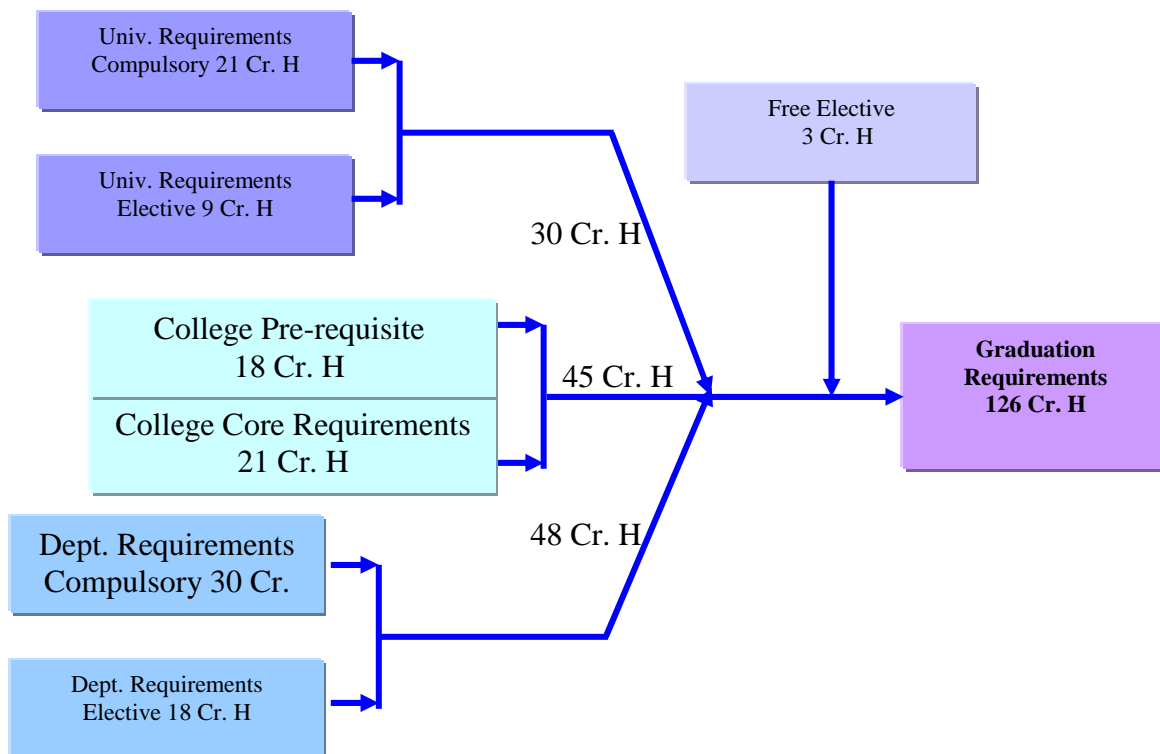


## B. Sc. Business Administration Program Structure

### 1. Graduation (Credit Hours) Requirements for the Department:

Requirements	Compulsory Cr.H	Elective Cr.H	Free Elective Cr.H	Total Cr.H
University (UR)	21	9		30
College Pre-requisite (CPR)	18			18
College Core Requirements (CCR)	27			27
Program Requirements (PR)	30	18		48
Free Elective (FE)			3	3
<b>Total</b>	<b>96</b>	<b>30</b>		<b>126</b>

### Program Structure:



## 2. University Requirements are 30 credit hours divided into:

### a) Compulsory University Requirements: (21) Credit Hours

Course Number	Course Title	Theory Hours	Lab Hours	Credit Hours	Prerequisite(s)
000001	IU Orientation	0	-	-	-
101101	Computing Fundamentals	2	2	3	-
104100	General Mathematics	3	-	3	-
401100	English Language I	3	-	3	-
401101	English Language II	3	-	3	401100
402100	Arabic Language I	3	-	3	-
403100	Islamic Culture	3	-	3	-
304100	Introduction to Natural Sciences	3	-	3	-
<b>Total</b>				<b>21</b>	

N.B.: Exemption from any one of the above courses shall be decided by the university council.

### b) Elective University Requirements: (9) Credit Hours

Course Number	Course Title	Theory Hours	Lab Hours	Credit Hours	Prerequisite(s)
301101	Research Methodology	3	-	3	-
301112	Foundations of Education	3	-	3	-
401103	Technical Report Writing	3	-	3	401101
401242	Oral Skills	3	-	3	401100
401245	Reading Skills	3	-	3	401100
401246	Writing Skills	3	-	3	401100
402101	Arabic Language II	3	-	3	402100
403101	Islamic Civilization	3	-	3	-
404101	Introduction to Sociology	3	-	3	-
404102	Library and Information Sources	3	-	3	-
404110	Media & Multimedia	3	-	3	-
405100	Introduction to Psychology	3	-	3	-
404100	UAE Society	3	-	3	-
303210	The Prophet's Biography	3	-	3	-
303221	Arabic Grammar & Morphology I	3	-	3	-

N.B.: If any of the Elective University Requirement courses is at the same time given as a Compulsory Requirement, it will not be considered as a University Elective.

#### (\* CMIS students are required register:

1. Either Introduction to Psychology (405100) or Introduction to Sociology (404101).
2. A course in humanities or arts from the rest of the above-listed elective course.

### 3. College Requirements (45 Cr. H):

<b>A. College Pre-requisite (18 Cr. H)</b>					
Course Number	Course Title	Theory Hours	Lab Hours	Credit Hours	Prerequisite(s)
104103	Mathematics for Business	3	-	3	104100
203230	Principles of Financial Accounting	3	-	3	-
203233	Fundamentals of Cost & Managerial Accounting	3	-	3	203230
202200	Principles of Microeconomics	3	-	3	
202201	Principles of Macroeconomics	3	-	3	202200
201100	Business Statistics	3	-	3	104100
<b>Total</b>				<b>18</b>	<b>-</b>
<b>B. College Core Requirements (27 Cr. H)</b>					
Course Number	Course Title	Theory Hours	Lab Hours	Credit Hours	Prerequisite(s)
201210	Information Systems & Technology	3	-	3	101101 Corequisite
202120	Introduction to Management	3	-	3	-
202231	Business Communication	3	-	3	401101 & 202120
202230	Marketing	3	-	3	202120
204230	Business Finance	3	-	3	203230
202331	Human Resource Management	3	-	3	202120
202431	Legal Business Environment	3	-	3	202120
201410	Operational Research	3	-	3	104103 + 201100
202332	Production & Operations Management	3	-	3	202120, 104103, 201100
<b>Total</b>				<b>27</b>	<b>-</b>

#### 4. Department Requirements (48 Cr. H):

<b>A. Compulsory Program Requirements (30 Cr. H)</b>					
Course Number	Course Title	Theory Hours	Lab Hours	Credit Hours	Prerequisite(s)
202221	Organizational Behavior	3	-	3	202120
202322	Project Management	3	-	3	Earned 70 Cr. H
202330	Sales Management	3	-	3	202120, 202230 /Co
202333	International Business Management	3	-	3	202120 +202201
202335	Organizational Development	3	-	3	202221
202420	Strategic Management	3	-	3	Earned 81 Cr.H
202421	Quality management	3	-	3	Earned 70 Cr. H
202490	Training	3	-	3	Earned 81 Cr.H
202491	Graduation Project	-	-	3	Department Appro
203231	Financial Accounting	3	-	3	203230
<b>Total</b>				<b>30</b>	
<b>B. Elective Department Requirements (18 Cr. H)</b>					
Course Number	Course Title	Theory Hours	Lab Hours	Credit Hours	Prerequisite(s)
201315	IT Management for Service Operations	3	-	3	202120
202324	Marketing communication	3	-	3	202230
202334	Change Management	3	-	3	202120
202432	Negotiation & Influence	3	-	3	202120
202222	Entrepreneurship	3	-	3	202120
202320	Building High performance Teams	3	-	3	202120+202221
204400	Financial Statement analysis	3	-	3	204230
202232	Purchasing & Supply Management	3	-	3	202120
202321	Organization Theory & Design	3	-	3	202221
201312	Accounting Information Systems	3	-	3	201210+203230
202323	Managing Diversity & Conflict	3	-	3	202120
204330	Portfolio Management	3	-	3	204230

#### 5. Free Elective Requirements (3 Credit Hours).

(3) Credit hours selected by the student from his specialization or any department in the university.