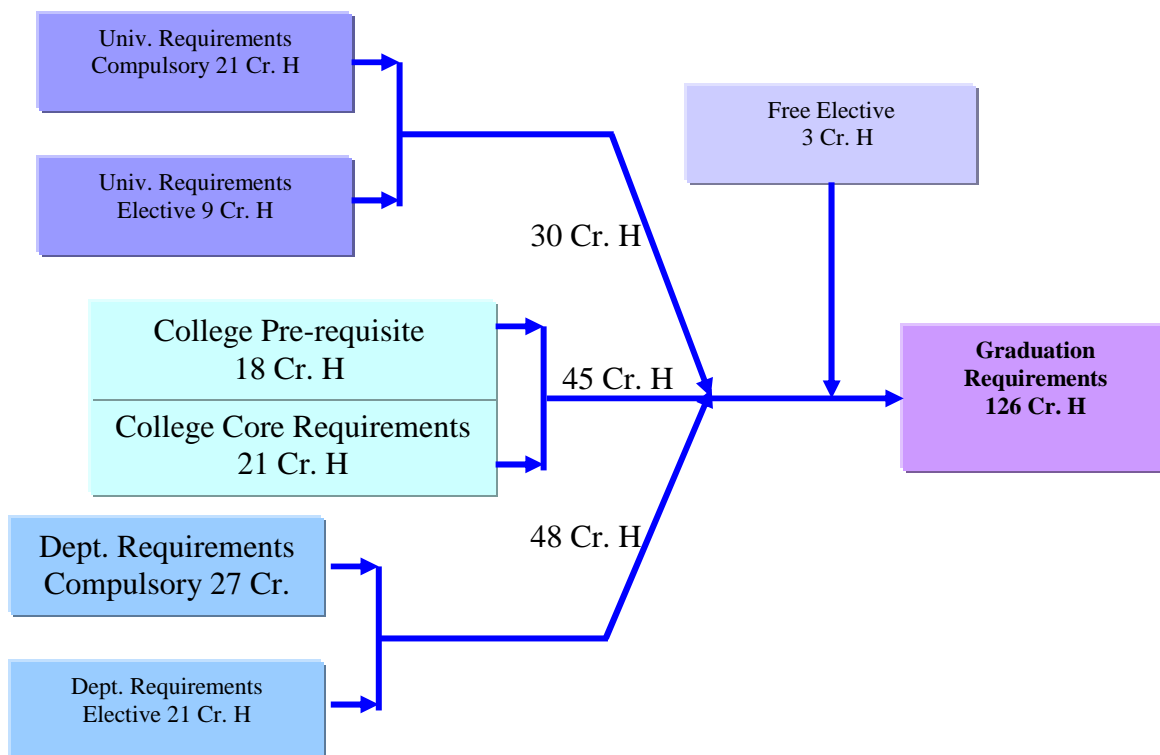


B. Sc. Accounting Program Structure

1. Graduation (Credit Hours) Requirements for the Department:

Requirements	Compulsory Cr. H	Elective Cr. H	Free Elective Cr. H	Total Cr. H
University (UR)	21	9		30
College Pre-requisite (CPR)	18			18
College Core Requirements (CCR)	27			27
Program Requirements (PR)	27	21		48
Free Elective (FE)			3	3
Total	93	33		126

Program Structure:



2. University Requirements are 30 credit hours divided into:

a) Compulsory University Requirements: (21) Credit Hours

Course Number	Course Title	Theory Hours	Lab Hours	Credit Hours	Prerequisite(s)
000001	IU Orientation	0	-	-	-
101101	Computing Fundamentals	2	2	3	-
104100	General Mathematics	3	-	3	-
401100	English Language I	3	-	3	-
401101	English Language II	3	-	3	401100
402100	Arabic Language I	3	-	3	-
403100	Islamic Culture	3	-	3	-
304100	Introduction to Natural Sciences	3	-	3	-
Total				21	

N.B.: Exemption from any one of the above courses shall be decided by the university council.

b) Elective University Requirements: (9) Credit Hours

Course Number	Course Title	Theory Hours	Lab Hours	Credit Hours	Prerequisite(s)
301101	Research Methodology	3	-	3	-
301112	Foundations of Education	3	-	3	-
401103	Technical Report Writing	3	-	3	401101
401242	Oral Skills	3	-	3	401100
401245	Reading Skills	3	-	3	401100
401246	Writing Skills	3	-	3	401100
402101	Arabic Language II	3	-	3	402100
403101	Islamic Civilization	3	-	3	-
404101	Introduction to Sociology	3	-	3	-
404102	Library and Information Sources	3	-	3	-
404110	Media & Multimedia	3	-	3	-
405100	Introduction to Psychology	3	-	3	-
404100	UAE Society	3	-	3	-
303210	The Prophet's Biography	3	-	3	-
303221	Arabic Grammar & Morphology I	3	-	3	-

N.B.: If any of the Elective University Requirement courses is at the same time given as a Compulsory Requirement, it will not be considered as a University Elective.

(* CMIS students are required register:

1. Either Introduction to Psychology (405100) or Introduction to Sociology (404101).
2. A course in humanities or arts from the rest of the above-listed elective course.

3. College Requirements (45 Cr. H):

A. College Pre-requisite (18 Cr. H)					
Course Number	Course Title	Theory Hours	Lab Hours	Credit Hours	Prerequisite(s)
104103	Mathematics for Business	3	-	3	104100
203230	Principles of Financial Accounting	3	-	3	-
203233	Fundamentals of Cost & Managerial Accounting	3	-	3	203230
202200	Principles of Microeconomics	3	-	3	
202201	Principles of Macroeconomics	3	-	3	202200
201100	Business Statistics	3	-	3	104100
Total				18	-
B. College Core Requirements (27 Cr. H)					
Course Number	Course Title	Theory Hours	Lab Hours	Credit Hours	Prerequisite(s)
201210	Information Systems & Technology	3	-	3	101101 Corequisite
202120	Introduction to Management	3	-	3	-
202231	Business Communication	3	-	3	401101 & 202120
202230	Marketing	3	-	3	202120
204230	Business Finance	3	-	3	203230
202331	Human Resource Management	3	-	3	202120
202431	Legal Business Environment	3	-	3	202120
201410	Operational Research	3	-	3	104103 + 201100
202332	Production & Operations Management	3	-	3	202120, 104103, 201100
Total				27	-

4. Department Requirements (48 Cr. H):

A. Compulsory Program Requirements (27 Cr. H)					
Course Number	Course Title	Theory Hours	Lab Hours	Credit Hours	Prerequisite(s)
201312	Accounting Information Systems	2	2	3	201210+203230
203232	Intermediate Accounting I	3	-	3	203230
203336	Cost & Managerial Accounting	3	-	3	203233
203331	Intermediate Accounting II	3	-	3	203232
203332	Principles of Auditing	3	-	3	203232
203333	Accounting for Islamic Financial Institution	3	-	3	203232
203411	International Accounting	3	-	3	203331
203412	Public and Non-Profit Accounting	3	-	3	203331
203490	Training	3	-	3	Earned 81 Cr.H
Total				27	
B. Elective Department Requirements (21 Cr. H)					
Course Number	Course Title	Theory Hours	Lab Hours	Credit Hours	Prerequisite(s)
201315	IT Management for Service Operations	3	-	3	202120
201337	Advanced Accounting Information Systems	2	2		201312
202221	Organizational Behavior	3	-	3	202120
202322	Project Management	3			Earned 70 Cr. H
202420	Strategic Management	3	-	3	81 Cr. H.
203334	Advanced Managerial Accounting	3	-	3	203336
203335	Oil & Gas Accounting	3	-	3	203232
203337	Taxation	3	-	3	203331
203413	Advanced Accounting	3	-	3	203331
203414	Accounting Theory	3	-	3	203331
203415	Seminar (Comprehensive Accounting)	3	-	3	203331+203336+203332
204330	Portfolio Management	3	-	3	204230
204400	Financial Statement analysis	3	-	3	204230

5. Free Elective Requirements (3 Credit Hours).

(3) Credit hours selected by the student from his specialization or any department in the university.